

# Installation Instructions: 70170-70193

| Date      | Revision |
|-----------|----------|
| 31.5.2024 | 1        |

Read these instructions before installation and retain for future reference

This equipment should be installed by a competent electrician



### Important Information

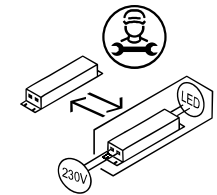
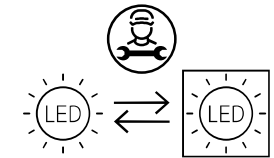
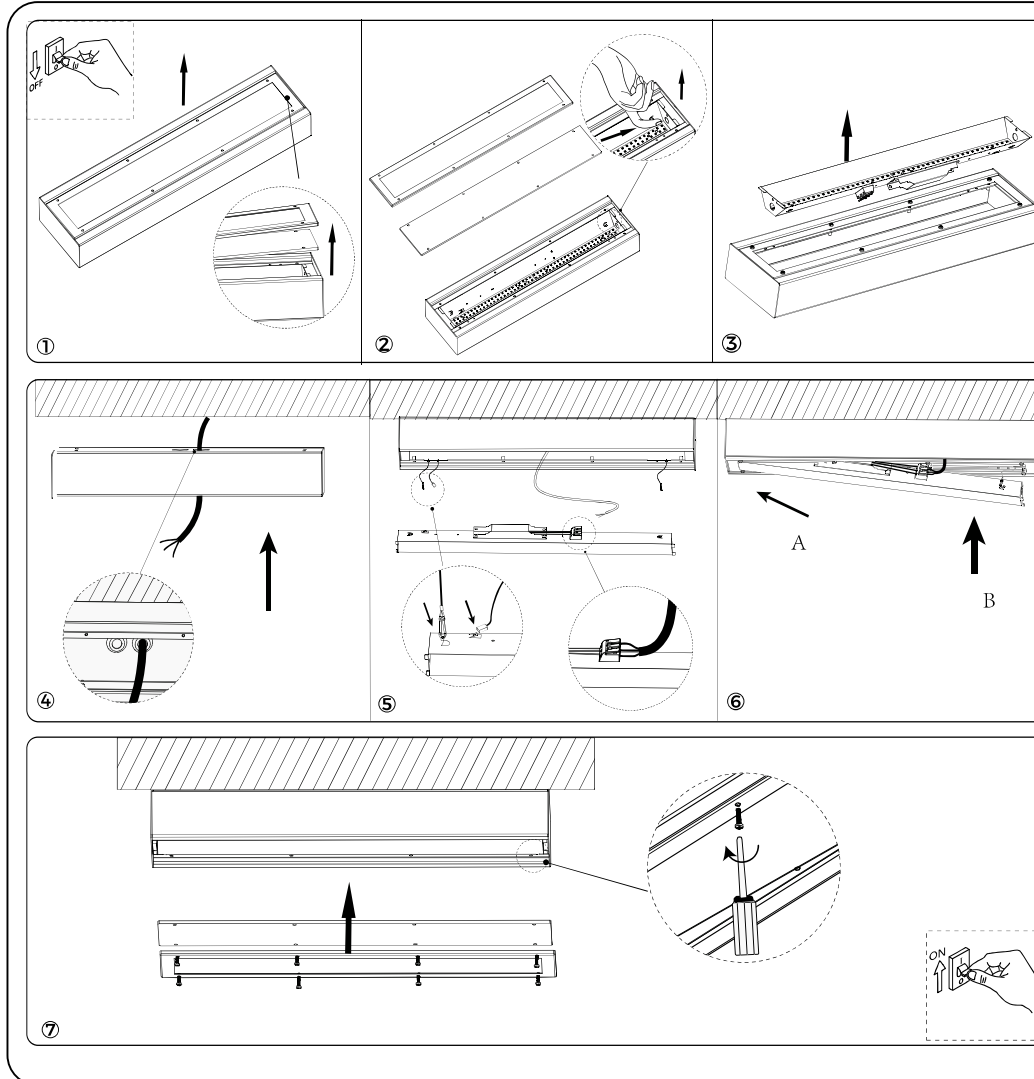
We recommend that luminaires are installed by a qualified electrician ensuring the installation complies with current IEE wiring regulations BS7671:2018 & local building control.

- All tests should be carried out in accordance to EN 50172:2004.
- BELL will not accept responsibility for any claims arising from poor installation.

### Important User Advice

- The ambient room temperature should not exceed 35°C.
- Ensure that there is adequate free air ventilation around the fitting.
- Always switch off mains supply before installing.

This product may contain substances that can be hazardous to the environment if not disposed of properly. Electrical and electronic equipment should never be disposed of with general household waste but must be separated for its correct treatment and recovery. Where possible recycle your packaging.

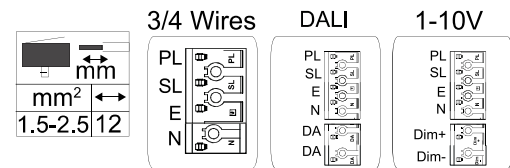
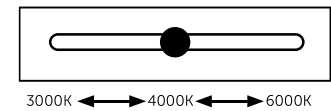


### Wattage Switch



| Power (W) | Switch |    |    |
|-----------|--------|----|----|
|           | 1      | 2  | 3  |
| 25        | ON     | ON | -  |
| 35        | ON     | -  | ON |
| 45        | ON     | -  | -  |
| 55        | -      | ON | ON |
| 60        | -      | ON | -  |

### CCT Switch



Technical Helpline +44 (0)1924 893380

www.bellighting.co.uk

British Electric Lamps Ltd  
BELL House, Foxbridge Way, Normanton Industrial Estate  
Normanton, West Yorkshire. WF6 1TN

T: +44 (0)1924 893380 F: +44 (0)1924 894320 E: sales@bellighting.co.uk

www.bellighting.co.uk

| Date      | Revision |
|-----------|----------|
| 31.5.2024 | 1        |

Read these instructions before installation and retain for future reference

This equipment should be installed by a competent electrician



### Important Information

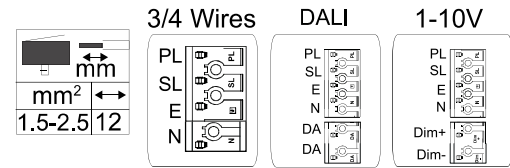
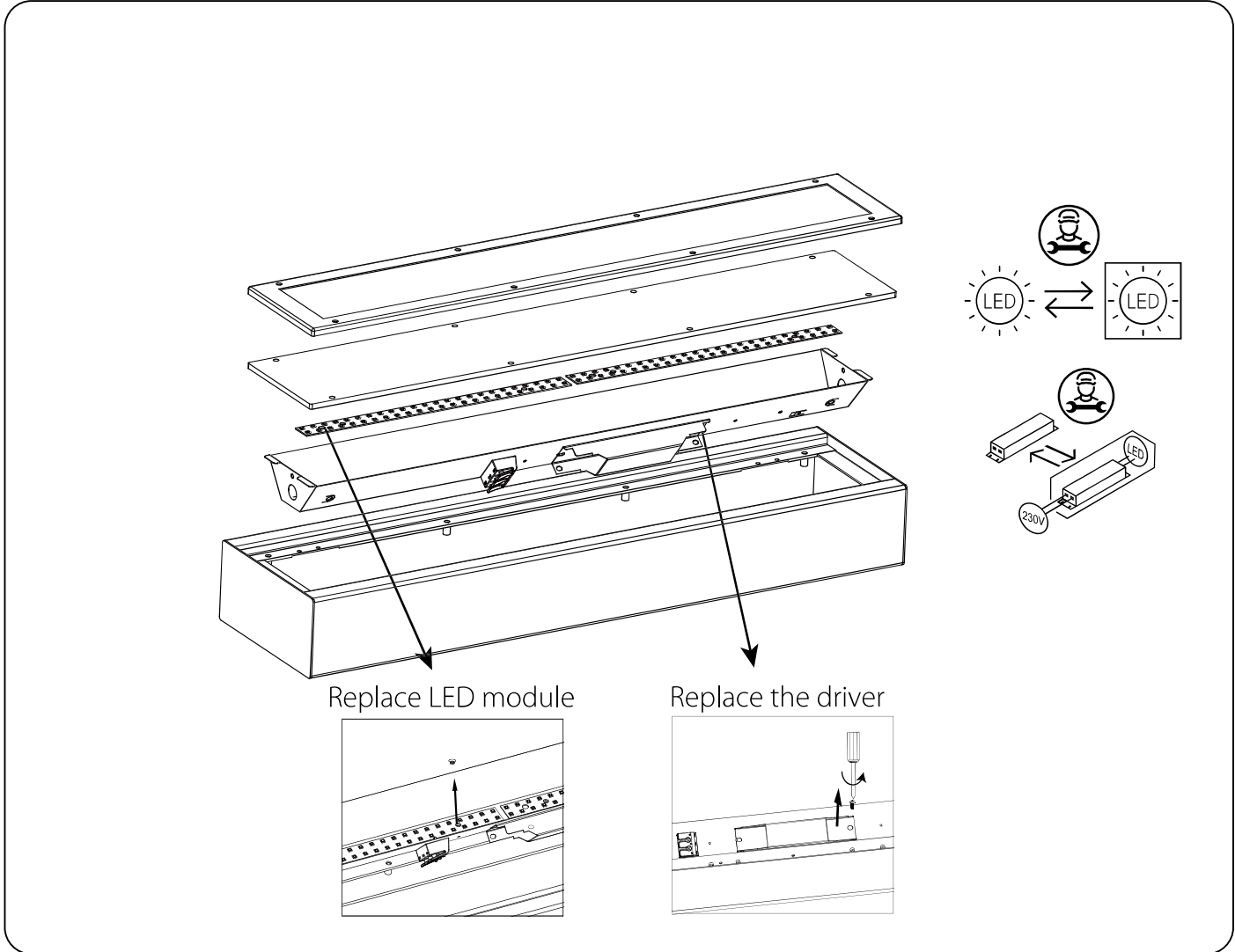
We recommend that luminaires are installed by a qualified electrician ensuring the installation complies with current IEE wiring regulations BS7671:2018 & local building control.

- All tests should be carried out in accordance to EN 50172:2004.
- BELL will not accept responsibility for any claims arising from poor installation.

### Important User Advice

- The ambient room temperature should not exceed 35°C.
- Ensure that there is adequate free air ventilation around the fitting.
- Always switch off mains supply before installing.

This product may contain substances that can be hazardous to the environment if not disposed of properly. Electrical and electronic equipment should never be disposed of with general household waste but must be separated for its correct treatment and recovery. Where possible recycle your packaging.



# Installation Instructions: 70170-70193

| Date      | Revision |
|-----------|----------|
| 31.5.2024 | 1        |

Read these instructions before installation and retain for future reference

This equipment should be installed by a competent electrician



### Important Information

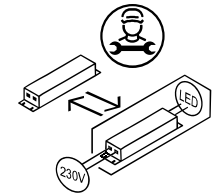
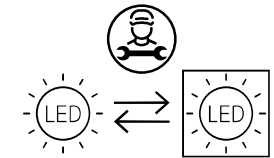
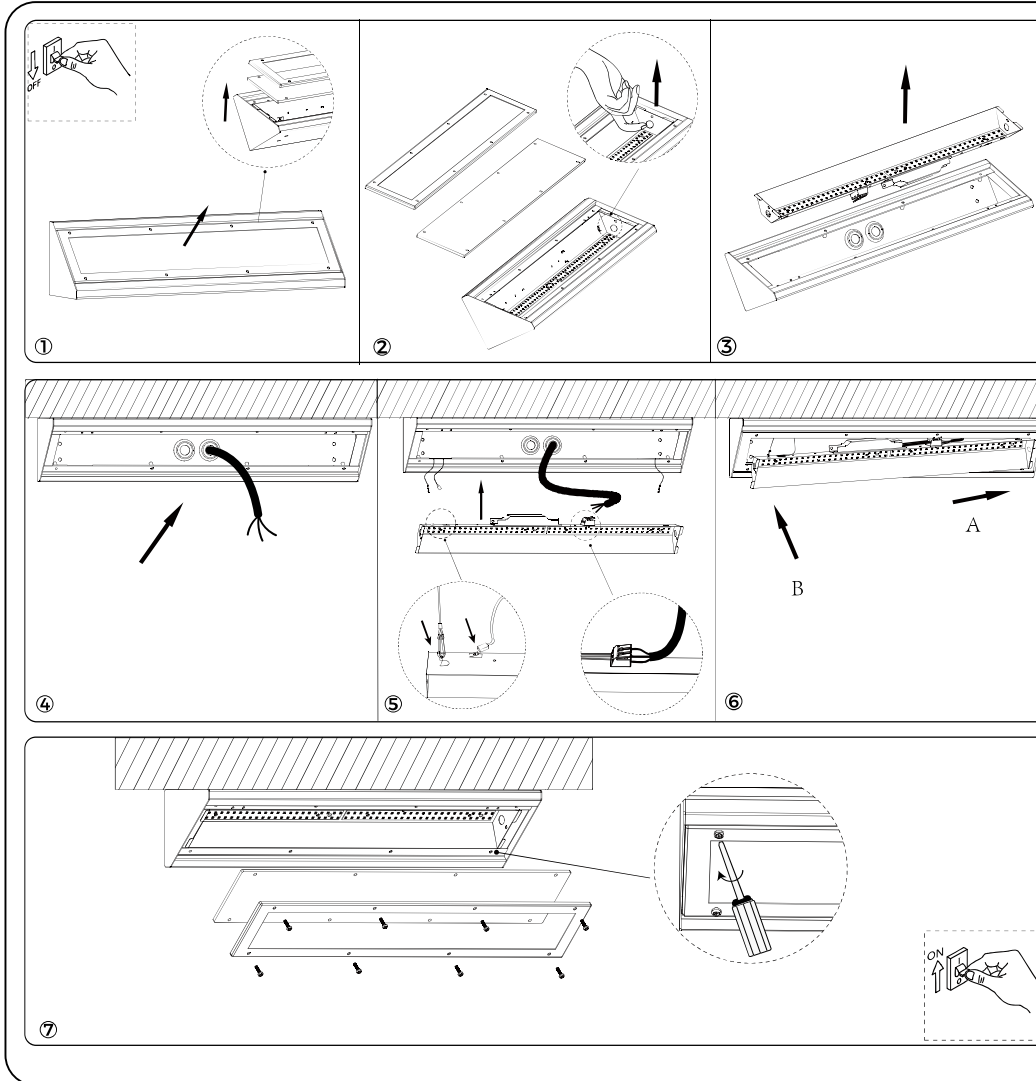
We recommend that luminaires are installed by a qualified electrician ensuring the installation complies with current IEE wiring regulations BS7671:2018 & local building control.

- All tests should be carried out in accordance to EN 50172:2004.
- BELL will not accept responsibility for any claims arising from poor installation.

### Important User Advice

- The ambient room temperature should not exceed 35°C.
- Ensure that there is adequate free air ventilation around the fitting.
- Always switch off mains supply before installing.

This product may contain substances that can be hazardous to the environment if not disposed of properly. Electrical and electronic equipment should never be disposed of with general household waste but must be separated for its correct treatment and recovery. Where possible recycle your packaging.

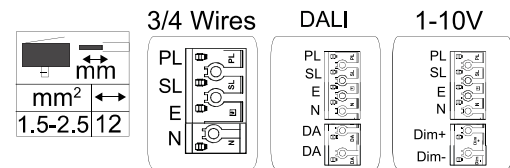
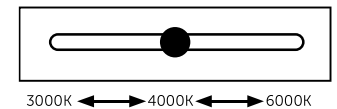


### Wattage Switch



| Power (W) | Switch |    |    |
|-----------|--------|----|----|
|           | 1      | 2  | 3  |
| 25        | ON     | ON | -  |
| 35        | ON     | -  | ON |
| 45        | ON     | -  | -  |
| 55        | -      | ON | ON |
| 60        | -      | ON | -  |

### CCT Switch



Technical Helpline +44 (0)1924 893380

www.bellighting.co.uk

British Electric Lamps Ltd  
BELL House, Foxbridge Way, Normanton Industrial Estate  
Normanton, West Yorkshire. WF6 1TN

T: +44 (0)1924 893380 F: +44 (0)1924 894320 E: sales@bellighting.co.uk

www.bellighting.co.uk

| Date      | Revision |
|-----------|----------|
| 31.5.2024 | 1        |

Read these instructions before installation and retain for future reference

This equipment should be installed by a competent electrician



### Important Information

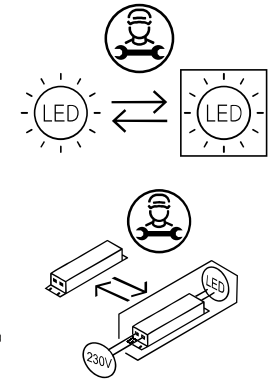
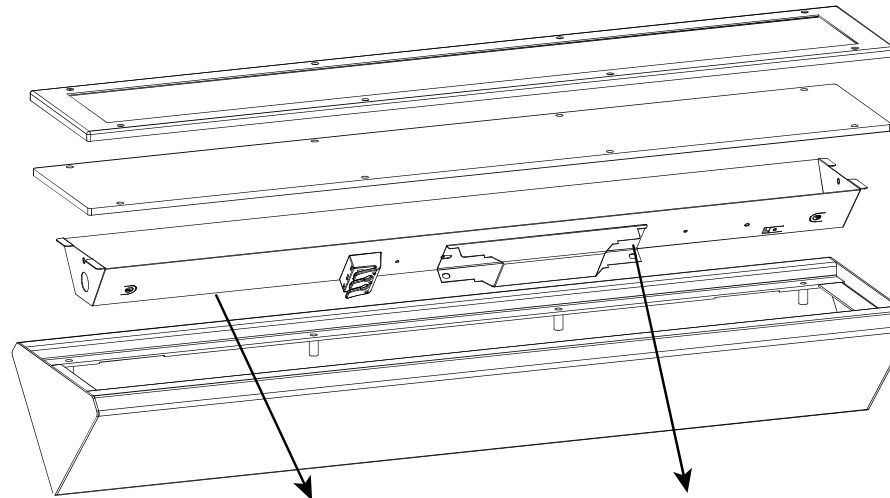
We recommend that luminaires are installed by a qualified electrician ensuring the installation complies with current IEE wiring regulations BS7671:2018 & local building control.

- All tests should be carried out in accordance to EN 50172:2004.
- BELL will not accept responsibility for any claims arising from poor installation.

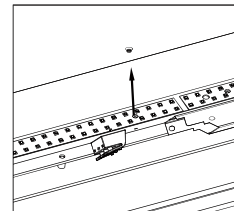
### Important User Advice

- The ambient room temperature should not exceed 35°C.
- Ensure that there is adequate free air ventilation around the fitting.
- Always switch off mains supply before installing.

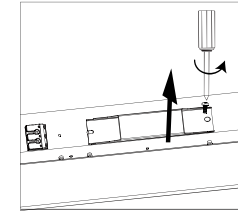
This product may contain substances that can be hazardous to the environment if not disposed of properly. Electrical and electronic equipment should never be disposed of with general household waste but must be separated for its correct treatment and recovery. Where possible recycle your packaging.



Replace LED module



Replace the driver



| 3/4 Wires | DALI | 1-10V |
|-----------|------|-------|
|           |      |       |